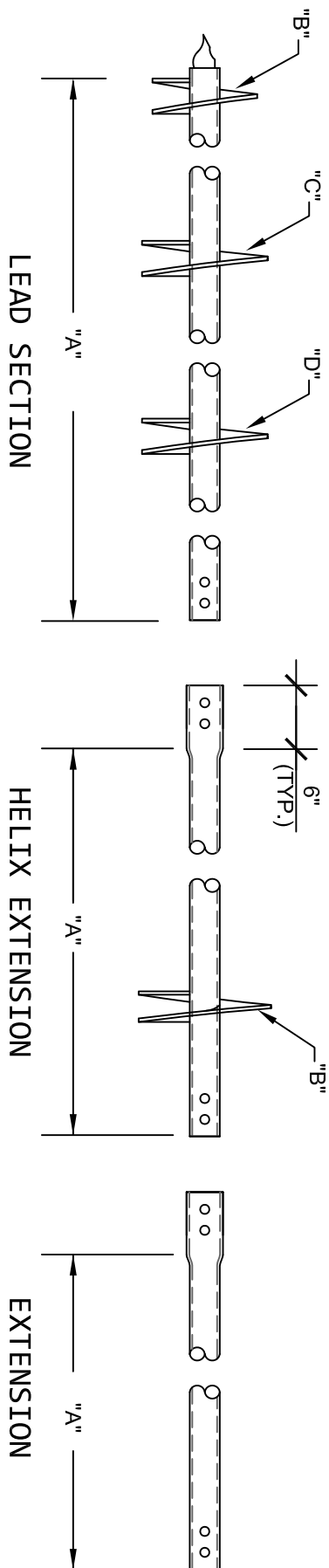


2.875" Ø HELICAL PILES AND ANCHORS - UPSET CONNECTION



LEAD SECTION TABLE				
CAT. #	"A"	"B"	"C"	"D"
6125	5'-0"	8"		
6140	5'-0"	8"	10"	
6142	5'-0"	10"	12"	
6143	7'-0"	10"	12"	
6147	7'-0"	8"	10"	12"
6148	7'-0"	10"	12"	14"
6188	10'-0"	10"	12"	14"

* MULTI-HELIX ARE SPACED 3 DIAMETERS OF THE LOWEST HELIX.

HELIX EXTENSIONS		
CAT #	"A"	"B"
8605-8	5'-0"	8"
8605-10	5'-0"	10"
8605-12	5'-0"	12"
8607-10	7'-0"	10"

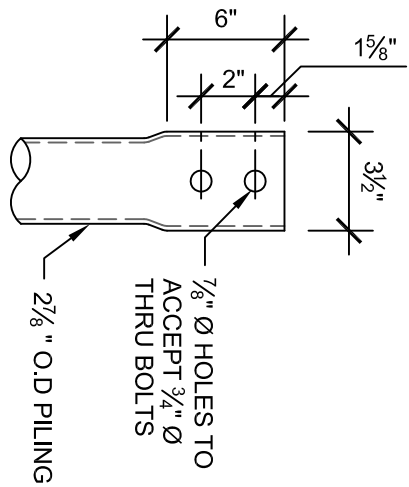
EXTENSIONS		
CAT #	"A"	"B"
8602	2'-0"	
8605	5'-0"	
8607	7'-0"	
8610	10'-0"	

MECHANICAL TORQUE RATING - 7,500 FT-LB
 ULTIMATE CAPACITY (TENS/COMP) - 67.5 KIP*
 ALLOWABLE CAPACITY (TENS/COMP) - 33.8 KIP*
 *BASED ON A TORQUE FACTOR (K1) = 9

NOTES:

- POLYETHYLENE POLYMER THERMOPLASTIC COATING PER ICC-ES AC 228. (GALVANIZED AND UNCOATED PILES AVAILABLE UPON REQUEST)
- LEAD AND EXTENSION SECTION LENGTHS ARE NOMINAL.
- SHAFT MATERIAL IS 2 7/8" O.D., 0.217" WALL, MINIMUM Fy=65 KSI AND Fu=80 KSI, ASTM - A500.
- HELIX BLADE MATERIAL IS HOT ROLLED, MINIMUM Fy=50 KSI AND Fu=80 KSI CARBON STEEL. PLATE THICKNESS IS AVAILABLE IN 3/8" AND 1/2" THICKNESSES.
- NOMINAL SPACING BETWEEN HELICAL PLATES IS THREE TIMES THE DIAMETER OF THE LOWEST HELIX.
- MANUFACTURER TO HAVE IN EFFECT INDUSTRY RECOGNIZED WRITTEN QUALITY CONTROL AND ASSURANCE FOR ALL MATERIALS AND MANUFACTURING PROCESSES.
- MANUFACTURER SHALL BE ISO CERTIFIED.
- ALL WELDING IS TO BE DONE BY WELDERS CERTIFIED UNDER SECTION 5 OF THE AWS CODE D1.1.
- ALL COUPLING BOLTS TO BE 3/4" Ø, SAE J429 GRADE 8 BOLTS. (SAE J429 GRADE 5 IF GALVANIZED).

**CONNECTION
DETAIL**



DWG. NO. : 2875.03	CATALOG NO. : SEE TABLES	REV. 1
SCALE 3/4" = 1'-0"	DRAWN BY SA	DATE: 07/11/14
		SHEET 1 OF 1